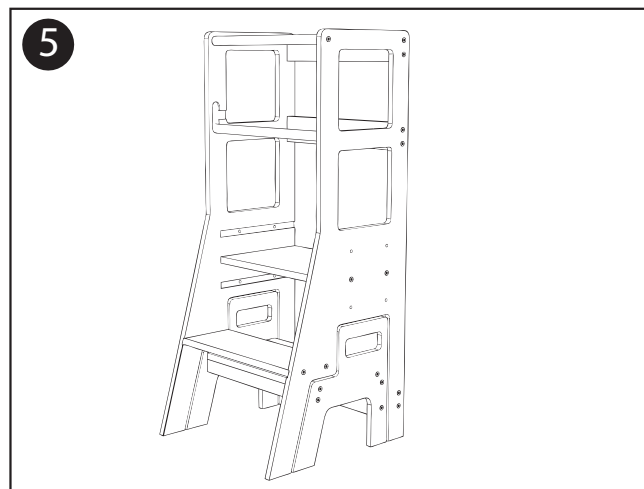
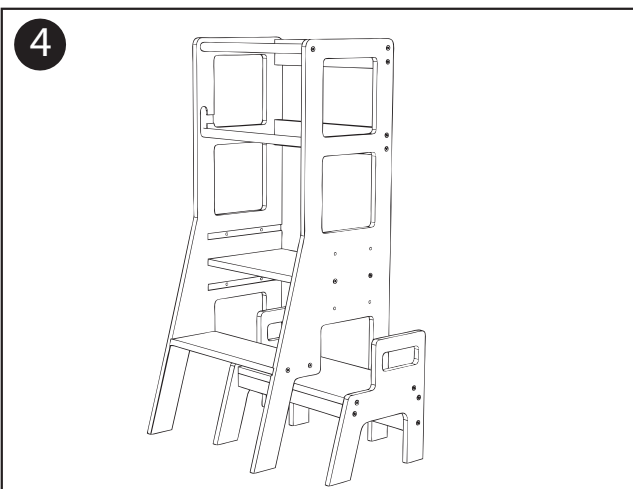
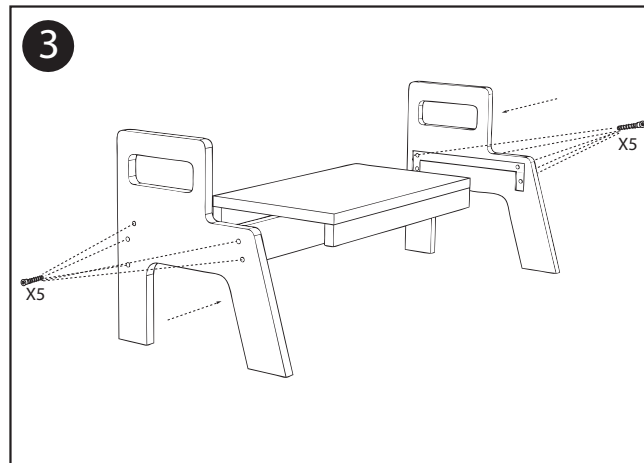
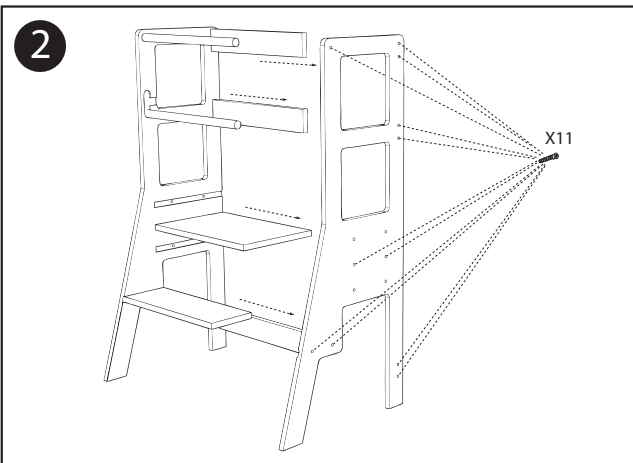
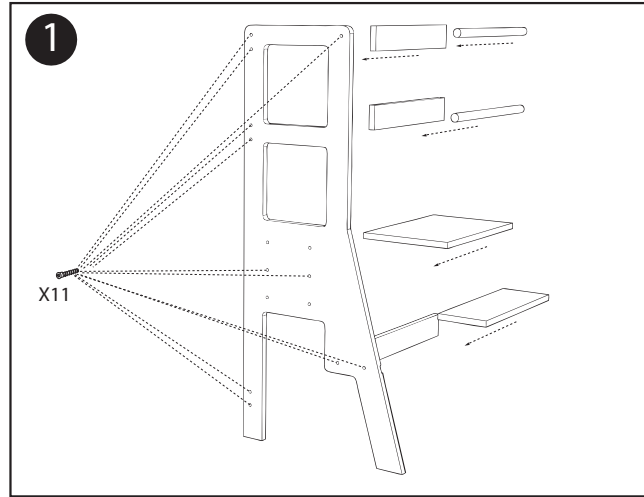
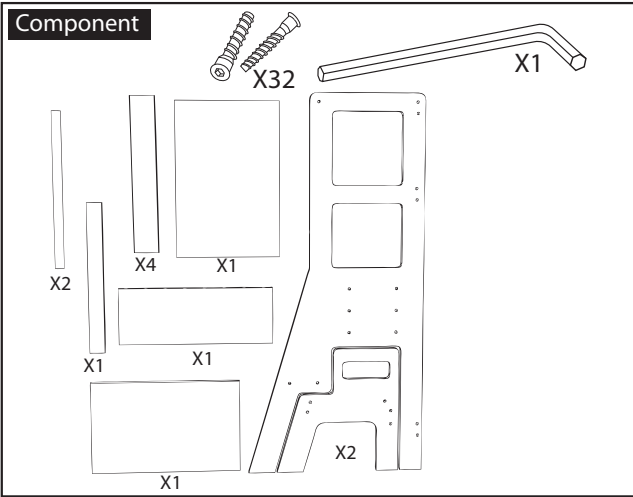


LEARNING TOWER

Instructions Manual



Tips:

The product is hand-made with original ecological materials, and the natural wood grain in the pores is relatively rough. It needs to be installed by an adult. After all screws are tightened, please place it on the flat ground. Children can be under adult care enjoy the comfort of sports.